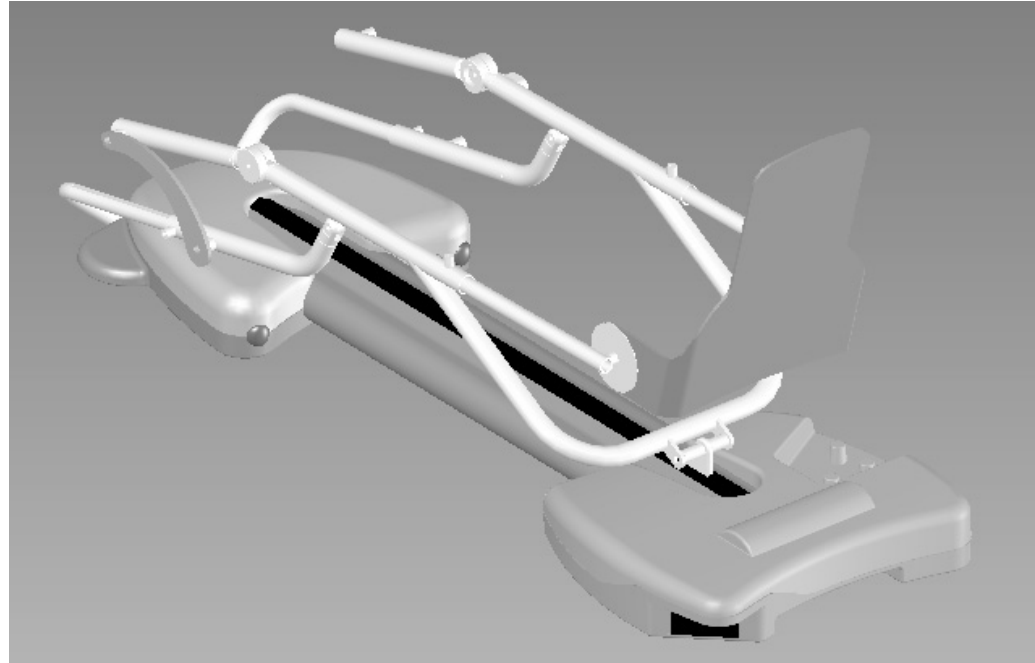


# NOTICE PIECES DE RECHANGE CATALOGUE OF SPARE PARTS

## PRIMA advance S2



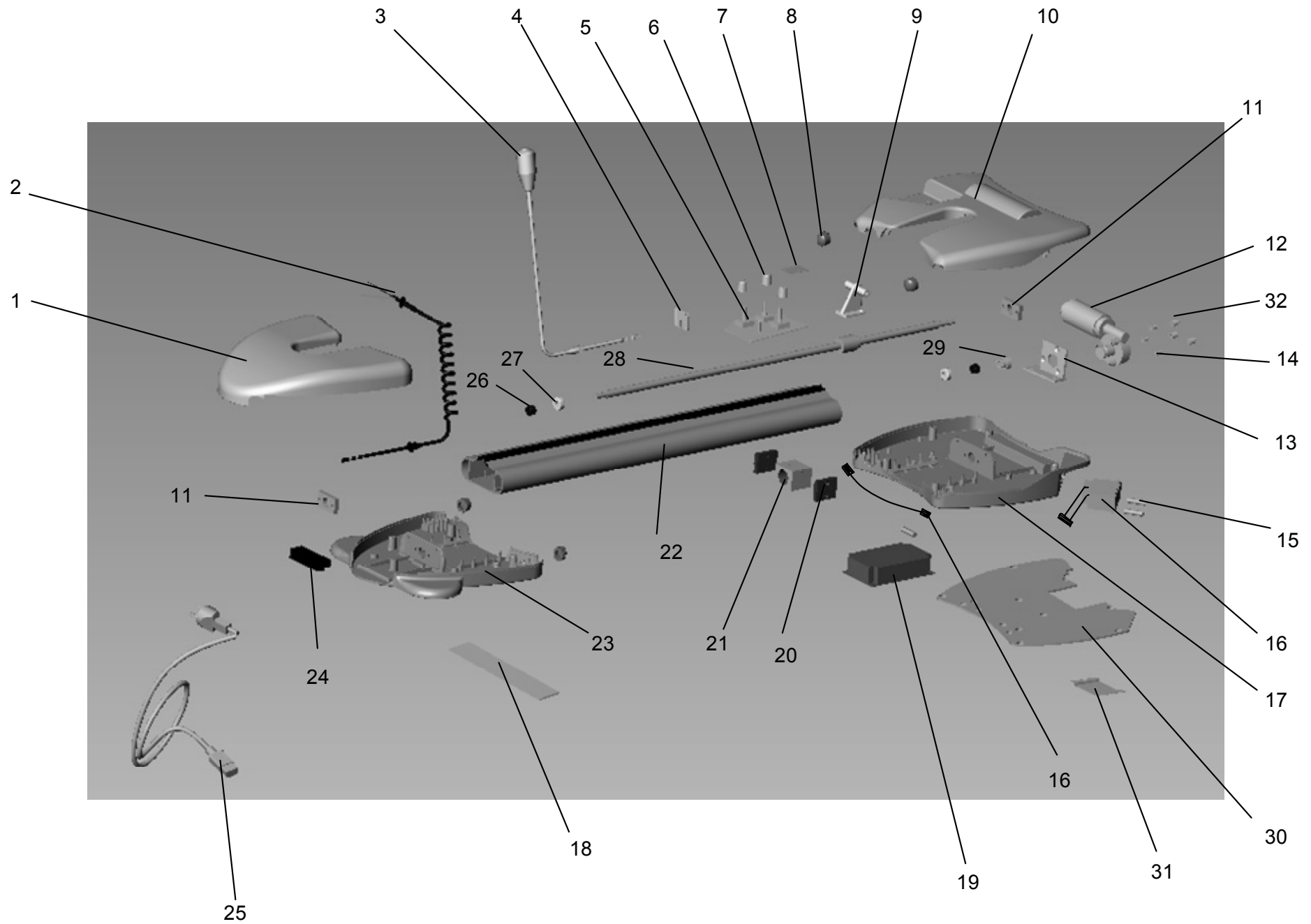
**APPAREIL DE MOBILISATION ARTICULAIRE PASSIVE DU GENOU**  
*KNEE CONTINUOUS PASSIVE MOTION DEVICE*



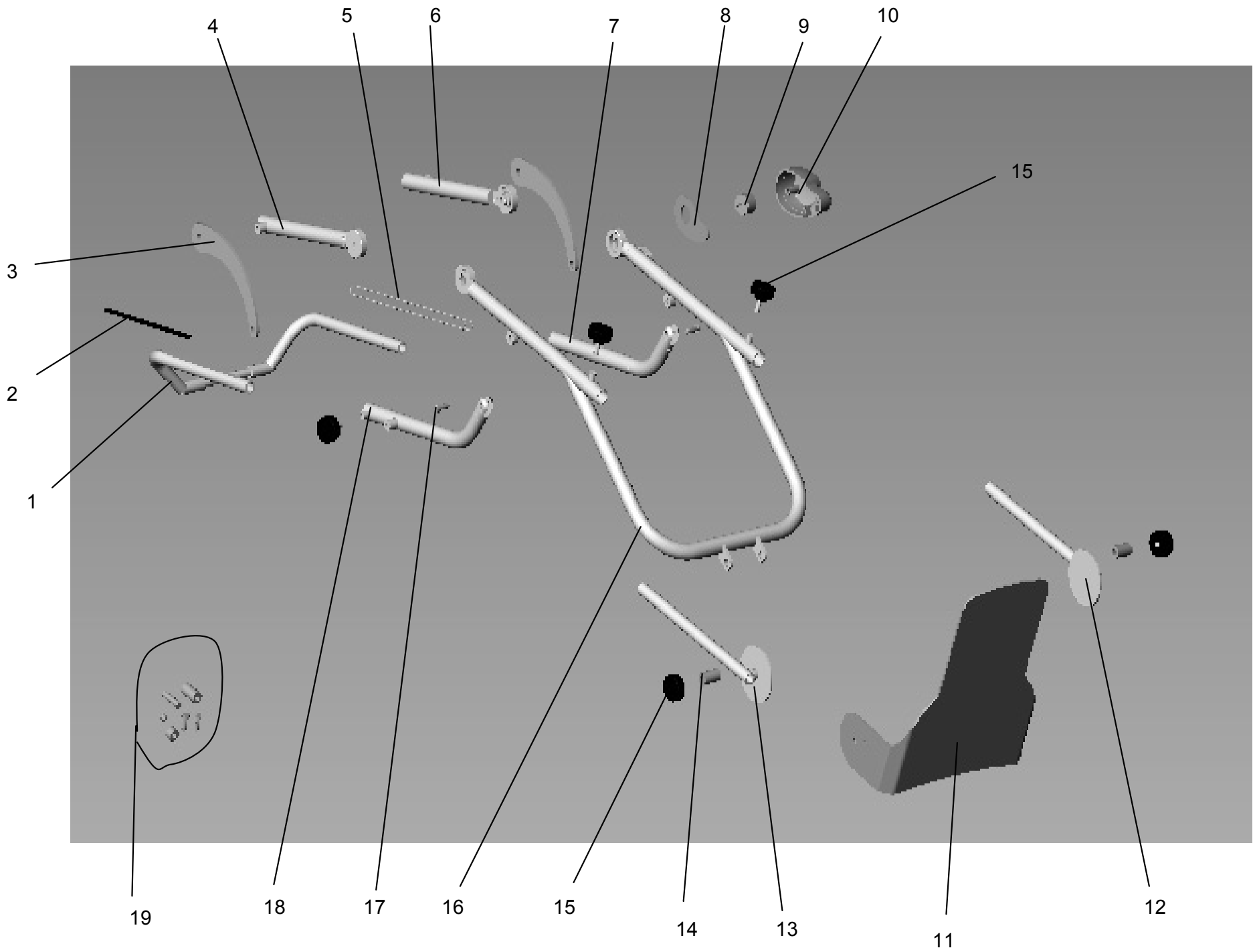
A Patterson Medical Company  
Parc d'Activités Ardennes Émeraude  
Rue Albert Deville, TOURNES  
F-08014 Charleville-Mézières Cedex  
France  
Siège social - Head Office :  
Tél. : +33 (0)3.24.52.91.21  
Fax : +33 (0)3.24.52.90.34  
Commercial France :  
Tél. : 03.24.52.61.15 / 16

Notice N° 467896342  
Mise à jour le 14/12/09

**Kinetec se réserve le droit de toutes modifications techniques**  
*Kinetec reserves the right to effect technical modifications.*



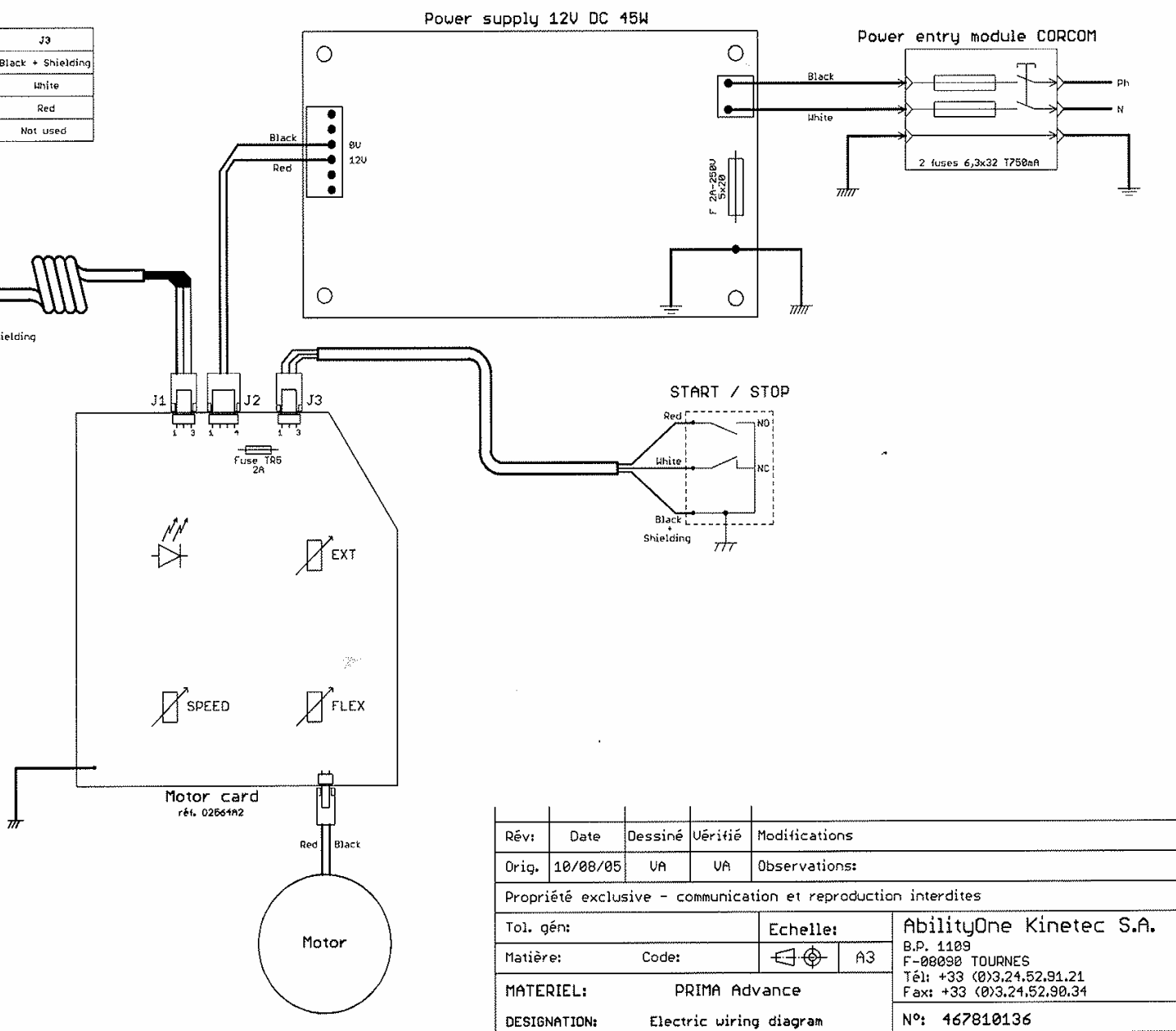
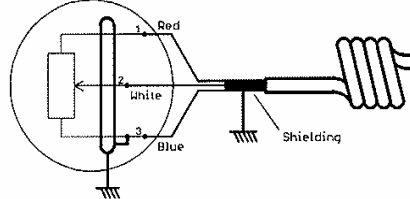
N°	REFERENCE	Q.	DESIGNATION	DESIGNATION	MATER.
1	4635008467	1	CARTER SUPERIEUR AVANT	FRONT UPPER CASING	A.B.S.
2	4610007913	1	CORDON SPIRALE	SPIRAL CABLE	P.U.R.
3	4635008599	1	POIGNEE START / STOP	HAND CONTROL START / STOP	ELECT.COMP
4	4670023628	1	SUPPORT CABLE POIGNEE	SUPPORT HAND CONTROL WIRES	ACIER / STEEL
5	4610008507	1	CARTE MOTEUR A POTENTIOMETRE	ELECTRONIC CARD	ELECT.COMP
6	4610008581	3	BOUTON POTENTIOMETRE	POTENTIOMETRIC KNOB	P.O.M.
	4610006650	3	INDEX DE BOUTON	POTENTIOMETER FLAG	P.O.M.
7	4635008780	1	INSONORISANT CHARIOT	SOUND PROOF	POLYURETHANE
8	4635010123	4	EMBOUT DE CARTER	CAPS COVER	P.V.C.
9	4670021341	1	ARTICULATION JAMBIERE	LEG ARTICULATION	ACIER / STEEL
10	4635010529	1	CARTER SUPERIEUR ARRIERE	BACK UPPER CASING	A.B.S.
11	4635009481	2	PALIER	BEARING SUPPORT	ALUMINIUM
12	4670023751	1	MOTOREDUCTEUR PERCE bosch pour serie 1	GEAR MOTOR bosch for serial 1	ACIER+CU / COPPER
	4610008911	1	MOTOREDUCTEUR PERCE DUNKER pour serie 2	GEAR MOTOR DUNKER for serial 2	ACIER+CU / COPPER
	4635010826	1	ADAPTATEUR DUNKER pour serie 2	SPACER FOR DUNKER MOTOR for serial 2	ALUMINIUM
13	4670023743	1	SUPPORT MOTOREDUCTEUR bosch pour serie 1	GEAR MOTOR SUPPORT bosch for serial 1	ACIER / STEEL
	4670024692	1	SUPPORT MOTOREDUCTEUR dunker pour serie 2	GEAR MOTOR SUPPORT dunker for serial 2	ACIER / STEEL
14	4627001255	3	ENTRETOISE MOTEUR	MOTOR SPACER	STEEL
15	4610007434	2	FUSIBLE 6.3x32mm T 750mA	FUSE T 750mA 250V 6.3x32mm	ELECT.COMP
16	4670021573	1	EMBASE SECTEUR CABLEE	SUPPLY SOCKET	ELECT.COMP
17	4670023735	1	BASE INFERIEUR ARRIERE	BACK LOWER CASING	ALUMINIUM
18	4670021515	1	ANTIDERAPPANT AVANT USA	FRONT ANTI SLIDING USA	POLYURETHANE
	4670024270	1	TAPIS STRIE AVANT VDE	FRONT GREY ANTI SLIDING WITH GROOVE VDE	SYNTHETIC RUBBER
19	4610007997	1	CARTE ALIMENTATION 260-90 VOLTS MEAN WELL	SUPPLY BOARD MEAN WELL	ELECT.COMP
	4610008002	1	CARTE ALIMENTATION 260-90 VOLTS ASTEC	SUPPLY BOARD ASTEC	ELECT.COMP
20	4635008839	2	PATIN	SLIDING PART	POLYETHYLENE
21	4635008847	1	SUPPORT ECROU	NUT SUPPORT	ALUMINIUM
22	4635010090	1	PROFIL ALUMINIUM	ALUMINIUM PROFIL	ALUMINIUM
23	4635008433	1	BASE INFERIEUR AVANT	FRONT LOWER CASING	ALUMINIUM
24	4635005611	1	ENSEMBLE ARTICULATION CRURALE	ARTICULATION ASSY	P.O.M.
25	4610006626	1	CORDON SECTEUR VDE 3.5m	CABLE TO THE MAIN VDE	P.U.R.
	4610006634	1	CORDON SECTEUR 4m UL	CABLE TO THE MAIN UL	P.U.R.
	4610007161	1	CORDON SECTEUR AUSTRALIE	CABLE TO THE MAIN AUSTRALIA	P.U.R.
	4610007400	1	CORDON SECTEUR U.K.	CABLE TO THE MAIN U.K.	P.U.R.
26	4639000071	2	BAGUE INTERIEUR LR diam 8x12x10.5mm	diam 8x12x10.5mm LR RING	ACIER / STEEL
	4639000047	2	CAGE A AIGUILLES HK diam 12x10mm	HK diam 12x10mm BALL BEARING	ACIER / STEEL
27	4639000097	4	RONDELLE BUTEE LS 0821 diam 8x21x2.75mm	diam 8x21x2.75mm LS 0821 WASHER	ACIER / STEEL
	4639000021	2	BUTEE A AIGUILLES AXK 0821 diam 8x21x2mm	AXK 0821 diam 8x21x2mm BALL BEARING	ACIER / STEEL
28	4635008475	1	VIS A BILLES	BALL SCREW	ACIER / STEEL
29	4635000182	1	ACCOUPLLEMENT moteur DUNKER pour serie 2	COUPLING for DUNKER motor for serial 2	ALUMINIUM+PU
	4670023719	1	ACCOUPLLEMENT moteur bosch pour serie 1	COUPLING for bosch motor for serial 1	
30	4670023769	1	ANTIDERAPPANT ARRIERE USA	BACK ANTI SLIDING USA	PE
	4670024270	1	TAPIS STRIE ARRIERE VDE	BACK GREY ANTI SLIDING WITH GROOVE VDE	SYNTHETIC RUBBER
31	4670023727	1	PROTECTION MOTEUR	GEAR MOTOR PROTECTOR	STAINLESS STEEL
32	4635000281	3	PLOT ELASTIQUE	SHOCK ABSORBER	STEEL+ PU



N°	REFERENCE	Q.	DESIGNATION	DESIGNATION	MATER.
1	4670021309	1	COULISSE CRURALE	SLIDING HALF UPPER LEG SUPPORT	ACIER / STEEL
2	4615002182	1	ETIQUETTE REPERE FEMUR	FEMUR LABEL	POLYESTER
3	4670021292	2	PATTE ARTICULATION CRURAL	ARTICULATION PLATE	ACIER / STEEL
4	4670021276	1	ELEMENT CRURAL DROIT	RIGHT FIXED UPPER LEG SUPPORT	ACIER / STEEL
5	4635002451	1	EPINGLE ACIER	PIN	ACIER / STEEL
6	4670021284	1	ELEMENT CRURAL GAUCHE	LEFT FIXED UPPER LEG SUPPORT	ACIER / STEEL
7	4670021268	1	ELEMENT CRURAL INFERIEUR GAUCHE	LEFT INFERIOR UPPER LEG SUPPORT	ACIER / STEEL
8	4670021317	1	SUPPORT POTENTIOMETRE	POTENTIOMETER MOUNTING	ACIER / STEEL
9	4610008531	1	POTENTIOMETRE COPIE 10K sfernice	COPY POTENTIOMETER	ELECT.COMPON.
10	4635008483	1	CAPOT DE POTENTIOMETRE	COVER FOR POTNTIOMETER	A.B.S.
11	4633000811	1	KIT SUPPORT PLANCHETTE monté	PIVOTING FOOT SUPPORT assemble	ACIER / STEEL
13	4670021656	1	COULISSE JAMBIERE DROITE	RIGHT FOOT SUPPORT TUBE	ACIER / STEEL
14	4627000637	2	ENTRETOISE SERRAGE PLANCHETTE	TIGHTEN SPACER OF FOOT PLATE	ALUMINIUM
15	4670021440	1	LOT DE BOUTONS DE SERRAGES	SET LOCKING KNOB	P.O.M.
16	4670021242	1	ELEMENT JAMBIER	LOWER LEG SUPPORT	ACIER / STEEL
17	4627001213	2	AXE DE CHAPE DIAM. 6	PIN DIAM. 6	INOX / S.STEEL
18	4670021250	1	ELEMENT CRURAL INFERIEUR DROIT	RIGHT INFERIOR UPPER LEG SUPPORT	ACIER / STEEL
19	4670021474	1	LOT DE VIS, RONDELLE, ENTRETOISE, GOUPILLE, ...	SET OF SCREW, WASHER, SPACER, PIN, CAPS.....	ACIER / STEEL

	J1	J2	J3
1	Blue + Shielding	-	Black + Shielding
2	White	Black	White
3	Red	Red	Red
4	Not used	-	Not used

Copy potentiometer



Rév:	Date	Dessiné	Vérfifié	Modifications
Orig.	10/08/05	VA	VA	Observations:
Propriété exclusive - communication et reproduction interdites				
Tol. gén:		Echelle:		AbilityOne Kinetec S.A.
Matière:		Code:	A3	B.P. 1109
MATERIEL:		PRIMA Advance		F-00090 TOURNES
DESIGNATION:		Electric wiring diagram		Tél: +33 (0)3.24.52.91.21
				Fax: +33 (0)3.24.52.90.34
				N°: 467810136