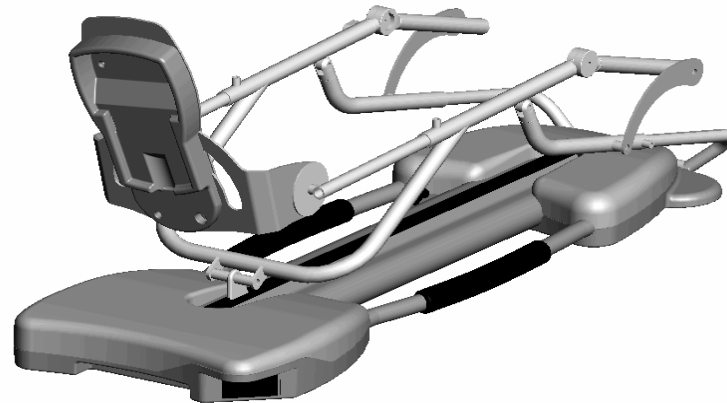


NOTICE PIECES DE RECHANGE CATALOGUE OF SPARE PARTS

SPECTRA	ESSENTIAL	S1 S2
OPTIMA S4	ESSENTIAL	S1 S2



APPAREIL DE MOBILISATION ARTICULAIRE PASSIVE DU GENOU
KNEE CONTINUOUS PASSIVE MOTION DEVICE



A Patterson Medical Company
Parc d'Activités Ardennes Emeraude
Rue Albert Deville, TOURNES
F-08014 Charleville-Mézières Cedex
France

Siège social - Head Office :

Tél. : +33 (0)3.24.52.91.21

Fax : +33 (0)3.24.52.90.34

Commercial France :

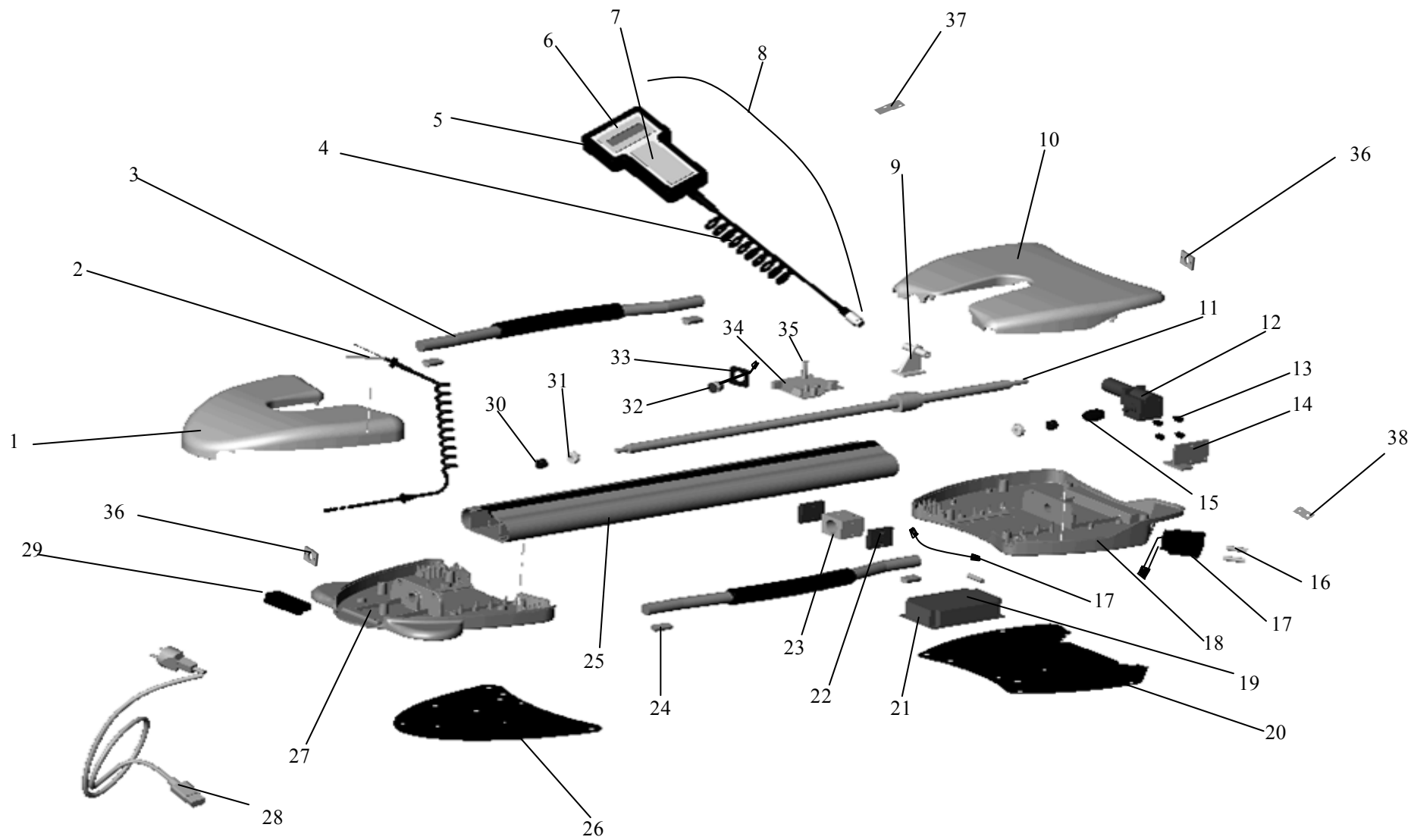
Tél. : 03.24.52.61.15 / 16

Notice N° 467896344

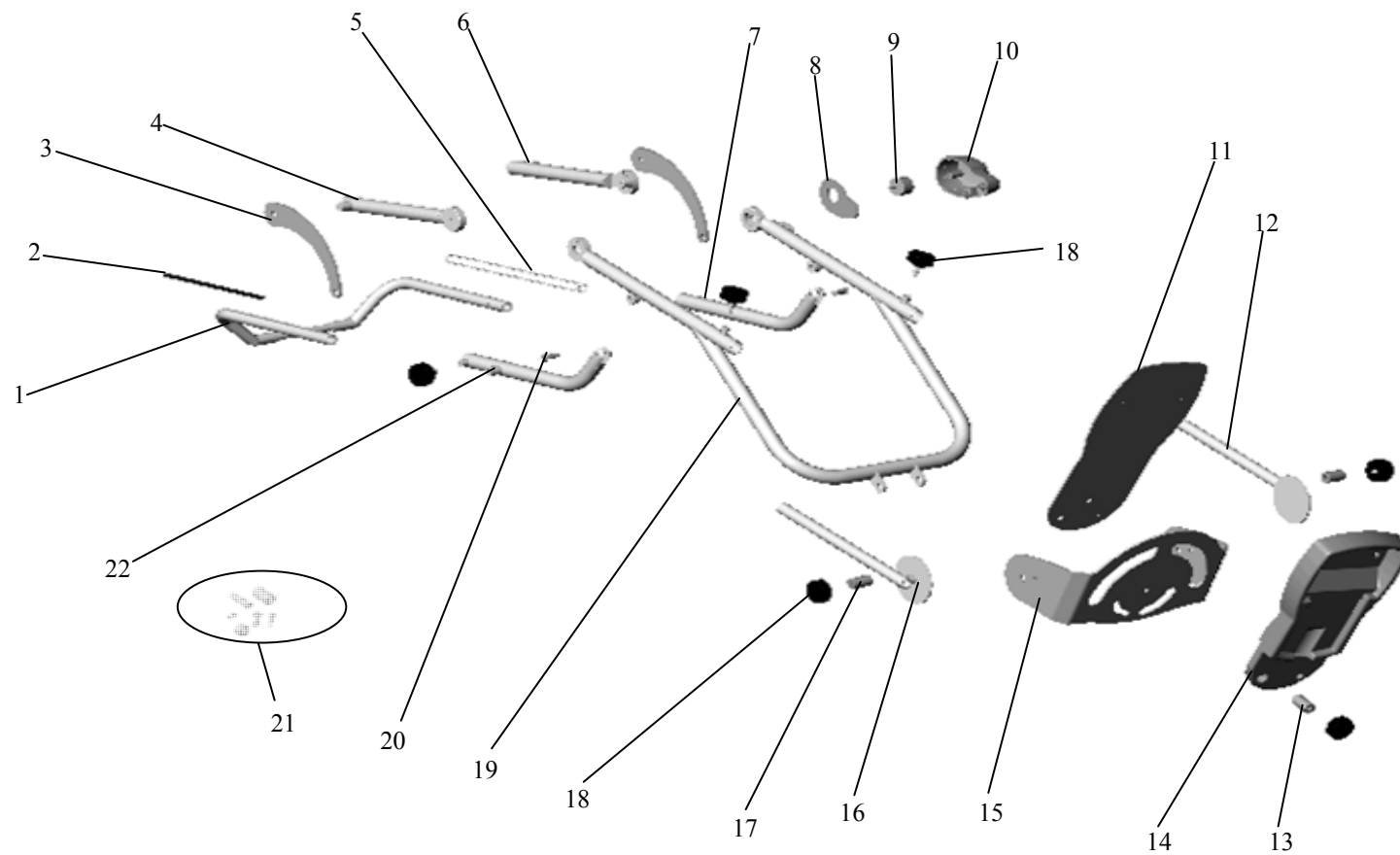
Mise à jour le 16/12/09

Kinetec se réserve le droit de toutes modifications techniques.

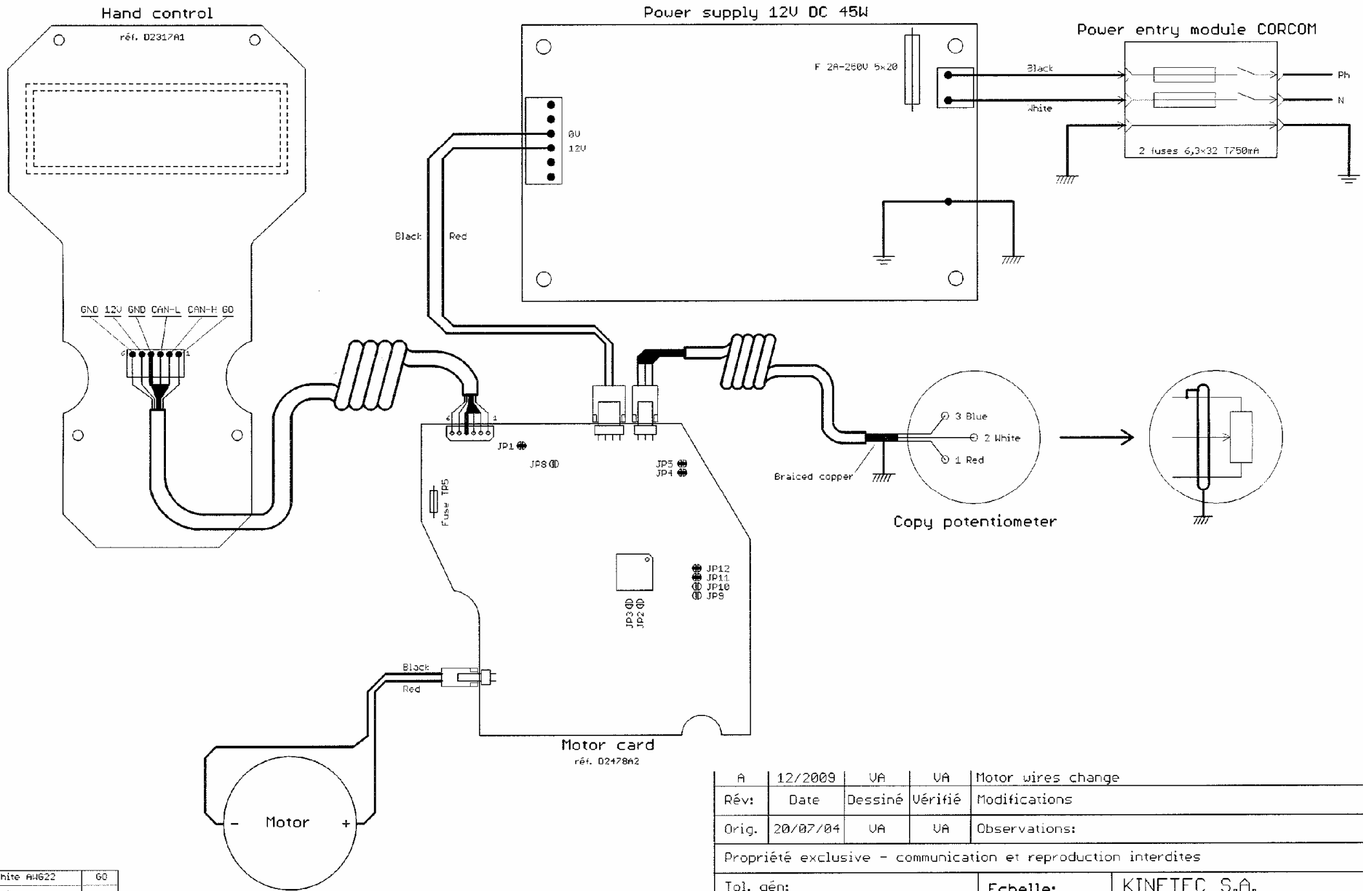
Kinetec reserves the right to effect technical modifications.



N°	REFERENCE	Q.	DESIGNATION	DESIGNATION	MATER.
1	4635008467	1	CARTER SUPERIEUR AVANT	FRONT UPPER CASING	A.B.S.
2	4610007913	1	CORDON SPIRALE	SPIRAL CABLE	P.U.R.
3	4635008508	2	POIGNEE DE TRANSPORT	CARRY HANDLE	ALUM.+P.U.R.
4	4610007921	1	CORDON DE POIGNEE DE COMMANDE	CABLE OF HAND CONTROL	P.U.R.
5	4635007609	1	PROTECTION DE POIGNEE DE COMMANDE	PROTECTION HAND CONTROL	P.U.R.
6	4615003578	1	CLAVIER D'AFFICHEUR ESSENTIAL	SCREEN KEYPAD	POLYESTER
7	4615003560	1	CLAVIER ESSENTIAL	KEYPAD	POLYESTER
8	4610008903	1	POIGNEE DE COMMANDE COMPLETE ESSENTIAL	HAND CONTROL ASSY	ELECT.COMP
9	4670021341	1	ARTICULATION JAMBIERE	LEG ARTICULATION	ACIER / STEEL
10	4635008441	1	CARTER SUPERIEUR ARRIERE SPECTRA	BACK UPPER CASING SPECTRA	A.B.S.
	4670021507	1	CARTER SUPERIEUR ARRIERE OPTIMA S4	BACK UPPER CASING OPTIMA S4	A.B.S.
11	4635008475	1	VIS A BILLES	BALL SCREW	ACIER / STEEL
12	4610007905	1	MOTOREDUCTEUR PERCE portescap pour serie 1	GEAR MOTOR portescap for serial 1	ACIER+CU / COPPER
	4610008911	1	MOTOREDUCTEUR PERCE DUNKER pour serie 2	GEAR MOTOR DUNKER for serial 2	ACIER+CU / COPPER
	4635010826	1	ADAPTATEUR DUNKER pour serie 2	SPACER FOR DUNKER MOTOR for serial 2	ALUMINIUM
13	4635000281	4	PLOT ELASTIQUE	SCHOCK ABSORBER	P.V.C.
14	4670021482	1	SUPPORT MOTOREDUCTEUR portescap pour serie 1	GEAR MOTOR SUPPORT portescap for serial 1	ACIER / STEEL
	4670024692	1	SUPPORT MOTOREDUCTEUR DUNKER pour serie 2	GEAR MOTOR SUPPORT DUNKER for serial 2	ACIER / STEEL
15	4635000182	1	ACCOUPLLEMENT ELASTIQUE	FLEXIBLE COUPLING	ALUM.+P.U.R.
16	4610007434	2	FUSIBLE 6.3x32mm T 750mA	FUSE T 750mA 250V 6.3x32mm	ELECT.COMP
17	4670021573	1	EMBASE SECTEUR CABLEE	SUPPLY SOCKET	ELECT.COMP
18	4635008459	1	CARTER INFERIEUR ARRIERE	BACK LOWER CASING	ALUMINIUM
19	4610007997	1	CARTE ALIMENTATION 260-90 VOLTS MEAN WELL	SUPPLY BOARD MEAN WELL	ELECT.COMP
20	4670021523	1	ANTIDERAPPANT ARRIERE USA	BACK ANTI SLIDING USA	POLYETHYLENE
	4670024262	1	TAPIS STRIE ARRIERE VDE	BACK GREY ANTI SLIDING WITH GROOVE VDE	SYNTHETIC RUBBER
21	4610007997	1	CARTE ALIMENTATION 260-90 VOLTS MEAN WELL	SUPPLY BOARD MEAN WELL	ELECT.COMP
22	4635008839	2	PATIN	SLIDING PART	POLYETHYLENE
23	4635008847	1	SUPPORT ECROU	NUT SUPPORT	ALUMINIUM
24	4635008615	4	ECROU DEMI ROND M5	NUT M5	ACIER / STEEL
25	4635008623	1	PROFIL ALUMINIUM	ALUMINIUM PROFIL	ALUMINIUM
26	4670021515	1	ANTIDERAPPANT AVANT USA	FRONT ANTI SLIDING USA	POLYETHYLENE
	4670024254	1	TAPIS STRIE AVANT VDE	FRONT GREY ANTISLIDING WITH GROOVE VDE	SYNTHETIC RUBBER
27	4635008433	1	CARTER INFERIEUR AVANT	FRONT LOWER CASING	ALUMINIUM
28	4610006626	1	CORDON SECTEUR VDE 3.5m	CABLE TO THE MAIN VDE	P.U.R.
	4610006634	1	CORDON SECTEUR 4m UL	CABLE TO THE MAIN UL	P.U.R.
	4610007161	1	CORDON SECTEUR AUSTRALIE	CABLE TO THE MAIN AUSTRALIA	P.U.R.
	4610007400	1	CORDON SECTEUR U.K.	CABLE TO THE MAIN U.K.	P.U.R.
29	4635005611	1	ENSEMBLE ARTICULATION CRURALE	ARTICULATION ASSY	P.O.M.
30	4639000071	2	BAGUE INTERIEUR LR diam 8x12x10.5mm	diam 8x12x10.5mm LR RING	ACIER / STEEL
	4639000047	2	CAGE A AIGUILLES HK diam 12x10mm	HK diam 12x10mm BALL BEARING	ACIER / STEEL
31	4639000097	4	RONDELLE BUTEE LS 0821 diam 8x21x2.75mm	diam 8x21x2.75mm LS 0821 WASHER	ACIER / STEEL
	4639000021	2	BUTEE A AIGUILLES AXK 0821 diam 8x21x2mm	AXK 0821 diam 8x21x2mm BALL BEARING	ACIER / STEEL
32	4610007971	1	EMBASE CABLEE + SUPPORT EMBASE	CONNECTOR + WIRES+ CONNECTOR SUPPORT	ELECT.COMP
33	4635008532	1	SUPPORT EMBASE	CONNECTOR SUPPORT	ACIER / STEEL
34	4610007939	1	CARTE MOTEUR	MOTOR PCB	ELECT.COMP
35	4610007012	1	FUSIBLE DE CARTE MOTEUR 2A	FUSE OF MOTOR PCB 2A	ELECT.COMP
36	4635009481	2	PALIER	BEARING SUPPORT	ALUMINIUM
37	4635008780	1	INSONORISANT CHARIOT	SOUND-PROOF	POLYURETHANE
38	4635008764	1	INSONORISANT MOTEUR	SOUND-PROOF	POLYURETHANE



N°	REFERENCE	Q.	DESIGNATION	DESIGNATION	MATER.
1	4670021309	1	COULISSE CRURALE	SLIDING HALF UPPER LEG SUPPORT	ACIER / STEEL
2	4615002182	1	ETIQUETTE REPERE FEMUR	FEMUR LABEL	POLYESTER
3	4670021292	2	PATTE ARTICULATION CRURAL	ARTICULATION PLATE	ACIER / STEEL
4	4670021276	1	ELEMENT CRURAL DROIT	RIGHT FIXED UPPER LEG SUPPORT	ACIER / STEEL
5	4635002451	1	EPINGLE ACIER	PIN	ACIER / STEEL
6	4670021284	1	ELEMENT CRURAL GAUCHE	LEFT FIXED UPPER LEG SUPPORT	ACIER / STEEL
7	4670021268	1	ELEMENT CRURAL INFERIEUR GAUCHE	LEFT INFERIOR UPPER LEG SUPPORT	ACIER / STEEL
8	4670021317	1	SUPPORT POTENTIOMETRE	POTENTIOMETER MOUNTING	ACIER / STEEL
9	4610008531	1	POTENTIOMETRE COPIE 10K SFERNICE	COPY POTENTIOMETER SFERNICE	ELECT.COMPON.
10	4635008483	1	CAPOT DE POTENTIOMETRE	COVER FOR POTNTIOMETER	A.B.S.
11	4670021226	1	PLANCHETTE	FOOT PLATE	ACIER / STEEL
12	4670021648	1	COULISSE JAMBIERE GAUCHE	LEFT FOOT SUPPORT TUBE	ACIER / STEEL
13	4627001239	1	ENTRETOISE SERRAGE SUPPORT POIGNEE	TIGHTEN SPACER OF HAND CONTROL SUPPORT	ALUMINIUM
14	4670021432	1	SUPPORT POIGNEE DE COMMANDE	HAND CONTROL SUPPORT	A.B.S.
15	4670021630	1	SUPPORT PLANCHETTE	PIVOTING FOOT SUPPORT	ACIER / STEEL
16	4670021656	1	COULISSE JAMBIERE DROITE	RIGHT FOOT SUPPORT TUBE	ACIER / STEEL
17	4627000637	2	ENTRETOISE SERRAGE PLANCHETTE	TIGHTEN SPACER OF FOOT PLATE	ALUMINIUM
18	4670021440	1	LOT DE BOUTONS DE SERRAGES	SET LOCKING KNOB	P.O.M.
19	4670021242	1	ELEMENT JAMBIER	LOWER LEG SUPPORT	ACIER / STEEL
20	4627001213	2	AXE DE CHAPE DIAM. 6	DIAM. 6 AXE	INOX / S.STEEL
21	4670021474	1	LOT DE VIS, RONDELLE, ENTRETOISE, GOUPILLE, ...	SET OF SCREW, WASHER, SPACER, PIN, CAPS.....	ACIER / STEEL
22	4670021250	1	ELEMENT CRURAL INFERIEUR DROIT	RIGHT INFERIOR UPPER LEG SUPPORT	ACIER / STEEL



White AH622	GND
White AH626	CAN-H
Blue AH626	CAN-L
Braided copper	GND
Red AH622	12V
Blue AH622	GND

A	12/2009	UA	UA	Motor wires change
Rév:	Date	Dessiné	Uérfié	Modifications
Orig.	20/07/04	UA	UA	Observations:
Propriété exclusive - communication et reproduction interdites				
Tol. gén:		Echelle:		KINETEC S.A. 2.I. rue Albert Deville, TOURNES F-08014 CHARLEVILLE MEZIERES Tél: +33 (0)3.24.52.91.21 Fax: +33 (0)3.24.52.90.34
Matière:		Code:		
MATERIEL: SPECTRA				A3
DESIGNATION:		Electric wiring diagram		N°: 467810129