

Kinetec Centura Lite™ Serie 1, 2



APPAREIL DE MOBILISATION ARTICULAIRE PASSIVE DE L'ÉPAULE
SHOULDER CONTINUOUS PASSIVE MOTION DEVICE

Kinetec SAS

Zone Industrielle de Tournes
Rue Maurice Périn
F-08090 Tournes
France



+33 (0)3 24 29 85 05



+33 (0)3 24 33 51 05



contact@kinetec.fr



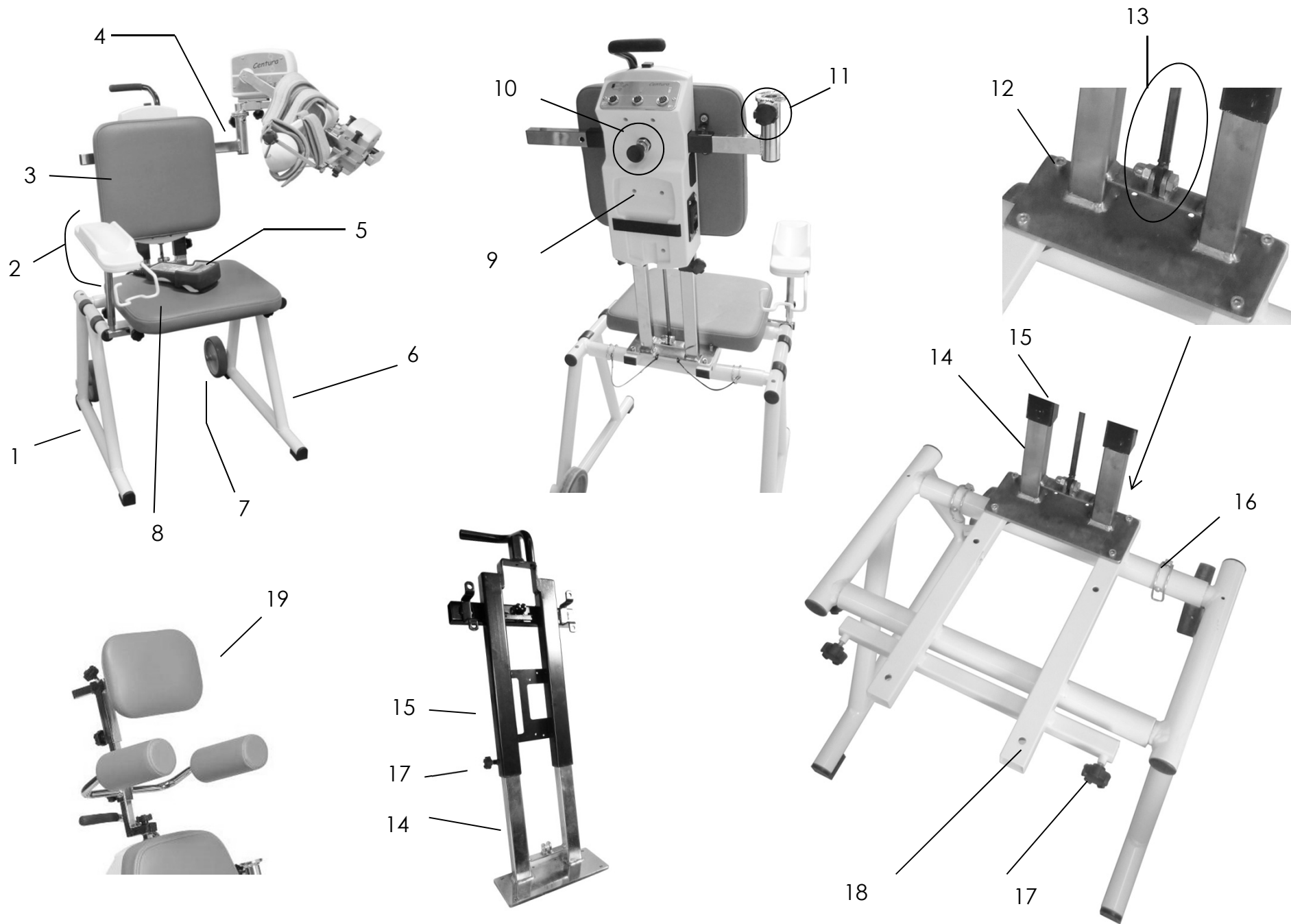
www.kinetec.fr

Notice N° PR-Centura-Lite-467896378-1

Mise à jour : 12/2015

Kinetec SAS se réserve le droit de toutes modifications techniques.

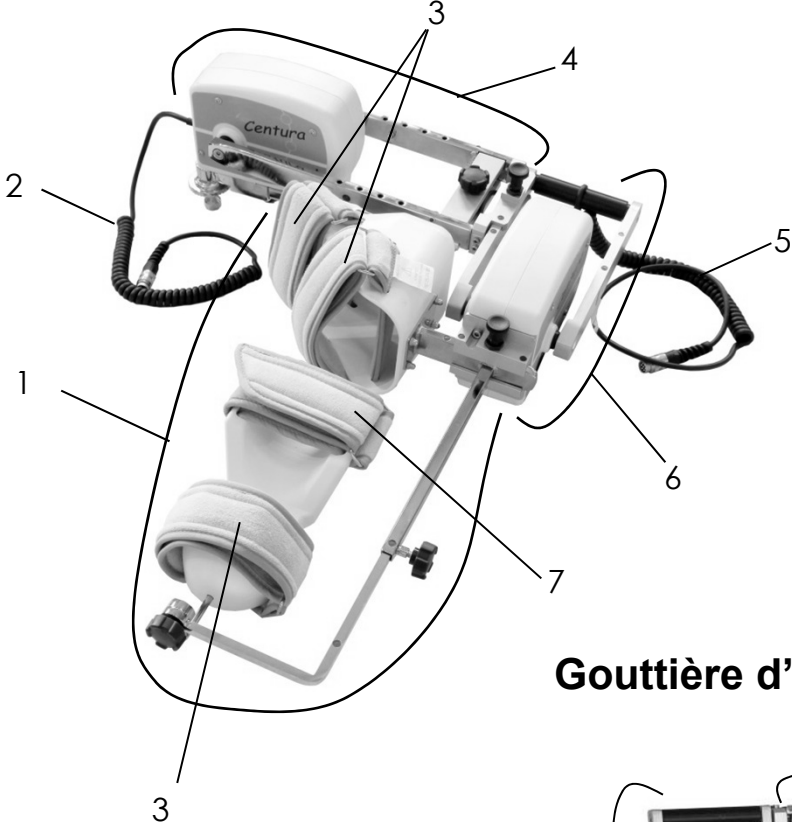
Kinetec SAS reserves the right to effect technical modifications.



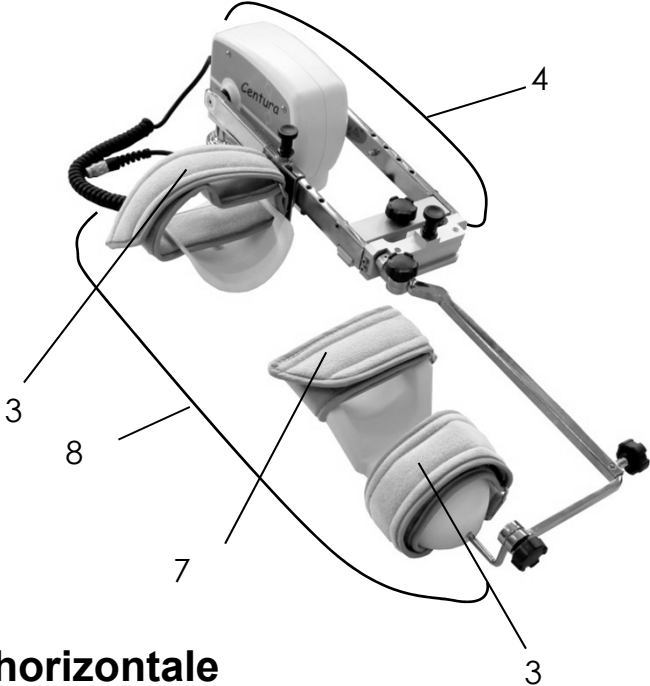
Notice PR de la Page 2 // Spare parts of page 2

N°	REFERENCE	Q.	S1	S2	DESIGNATION	DESIGNATION	MATER.
1	4670026234	1	x	x	PIETEMENT DROIT MONT CENT LITE	RIGHT BASE MOUNTED	INOX / S.STEEL
2	4670026200	1	x	x	ACCOUDOIR MONTE CENTURA LITE	ARMREST MOUNTED	A.B.S. + Acier/Steel
	4620003018	4	x	x	VIS ECO-SYN B 3*14 ZING	ECO-SYN SCREW M3.5*14 ZING	Acier / Steel
3	4635011204	1	x	x	DOSSIER CENTURA LITE	CHAIR BACK CENTURA LITE	Cotton + P.V.C. + Polyester
	4620001096	4	x	x	VIS CHC 6*20 INOX	CHC SCREW M6 * 20 S.STEEL	INOX / S.STEEL
	4630000244	4	x	x	RONDEL PLATE ZING 6.4*12*1.2	FLATE WASHER 6.4*12*1.2 ZING	ZING
4	4670026193	1	x	x	COULIS ARR SUP MOT MONT C LITE	MOTOR SLIDING FRAME	INOX / S.STEEL
5	4610008979	1	x	x	POIGNEE DE CDE USB CENTURA	CONTROL HANDLE USB CENTURA	Elect. Comp.
6	4670026242	1	x	x	PIETEMENT GAUCH MONT CENT LITE	LEFT BASE MOUNTED	INOX / S.STEEL
7	4636000280	2	x	x	ROULETTE PJO 125*32*12	WHEEL PJO 125 * 32 * 12	PLASTIC
	4620003513	2	x	x	ECROU BORGNE M10 INOX FORM BAS	THIN CAPNUT M10 S.STEEL	INOX / S.STEEL
	4630000559	2	x	x	RONDEL BEL CHRO 10,2*28*1,5	CHROME BELLEVILLE WASHER 10.2*28*1.5	ACIER / STEEL
8	4635011212	1	x	x	ASSISE CENTURA LITE	CHAIR SEAT CENTURA LITE	Cotton + P.V.C. + Polyester
	4620001096	4	x	x	VIS CHC 6*20 INOX	CHC SCREW M6 * 20 S.STEEL	INOX / S.STEEL
	4630000244	4	x	x	RONDEL PLATE ZING 6.4*12*1.2	FLATE WASHER 6.4*12*1.2 ZING	ZING
9	4670026143	1	x	x	CARTER ARR USINE CENTURA LITE	BACK COVER CASE	Polyester
	4635008350	1	x	x	CAPOT INF BOITIER ARRIERE V2	LOWER COVER CASE	Polyester
	4620002226	6	x	x	VIS B CRUCI H M4*10 INOX	BUTTON HEAD PHILLIPS SCREW M4*10 S.STEEL	Acier / Steel
	4620003258	5	x	x	VIS ECO SYN 3.5*16	ECO-SYN SCREW M3.5*16	Acier / Steel
10	4625001017	1	x	x	DOIGT INDEX.32-056-16 INOX D8	INDEXING FINGER	INOX / S.STEEL
11	4670019619	1	x	x	BOUTON + VIS PR C2	KNOB + SCREW	P.O.M. + ACIER/STEEL
12	4620001096	4	x	x	VIS CHC 6*20 INOX	CHC SCREW M6 * 20 S.STEEL	INOX / S.STEEL
	4620001707	4	x	x	ECROU H FREIN M6 ZING	LOCKNUT M6 ZING	ZING
	4630000822	4	x	x	RONDEL CONTA 6,2*14*1,3	WASHER 6.2 * 14 * 1.3	ACIER / STEEL
13	4635007443	1	x	x	VERIN D:19 COURSE 200	CYLINDER D: 19 STROKE: 200	ACIER / STEEL
	4620001864	2	x	x	VIS TH 8*20 INOX	HEX CAP SCREW M8 * 20 S.STEEL	INOX / S.STEEL
	4620001757	2	x	x	ECROU BORGNE M8 INOX	CAPNUT M8 S.STEEL	INOX / S.STEEL
14	4670026127	1	x	x	CHASSIS MONTE/BAISSE CENT LITE	BOTTOM FRAME	INOX / S.STEEL
15	4670026135	1	x	x	COULISSE MONTE BAISSSE CEN LITE	SLIDING FRAME CENTURA LITE	INOX / S.STEEL
16	4626000993	2	x	x	GOUPILLE CLIPS POUR TUBE 8*40	TUBE CLIP D:8*40	INOX / S.STEEL
	4635011288	2	x	x	CORDELETTE DE GOUPIL POUR TUBE	CORD FOR TUBE CLIP	CORD
17	4625000697	4	x	x	BOUTON 3041-15 MALE NOIR	BLACK KNOB 3041-15	P.O.M.
18	4670026119	1	x	x	CHASSIS D'ASSISE CENTURA LITE	SEAT FRAME CENTURA LITE	INOX / S.STEEL
19	4670024551	1	x	x	KIT D'APPUI TETE ET MAINTIEN D'EPAULE	HEAD SUPPORT AND SHOULDER MAINTENANCE KIT	INOX / S.STEEL

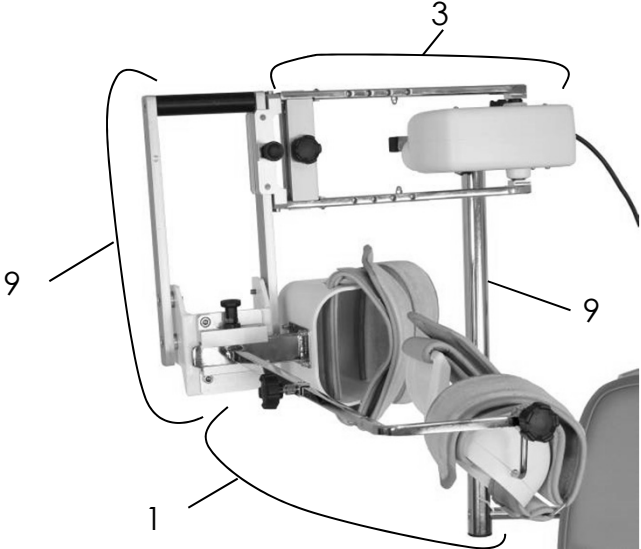
Gouttière d'abduction associée à la rotation



Gouttière d'abduction ou de flexion

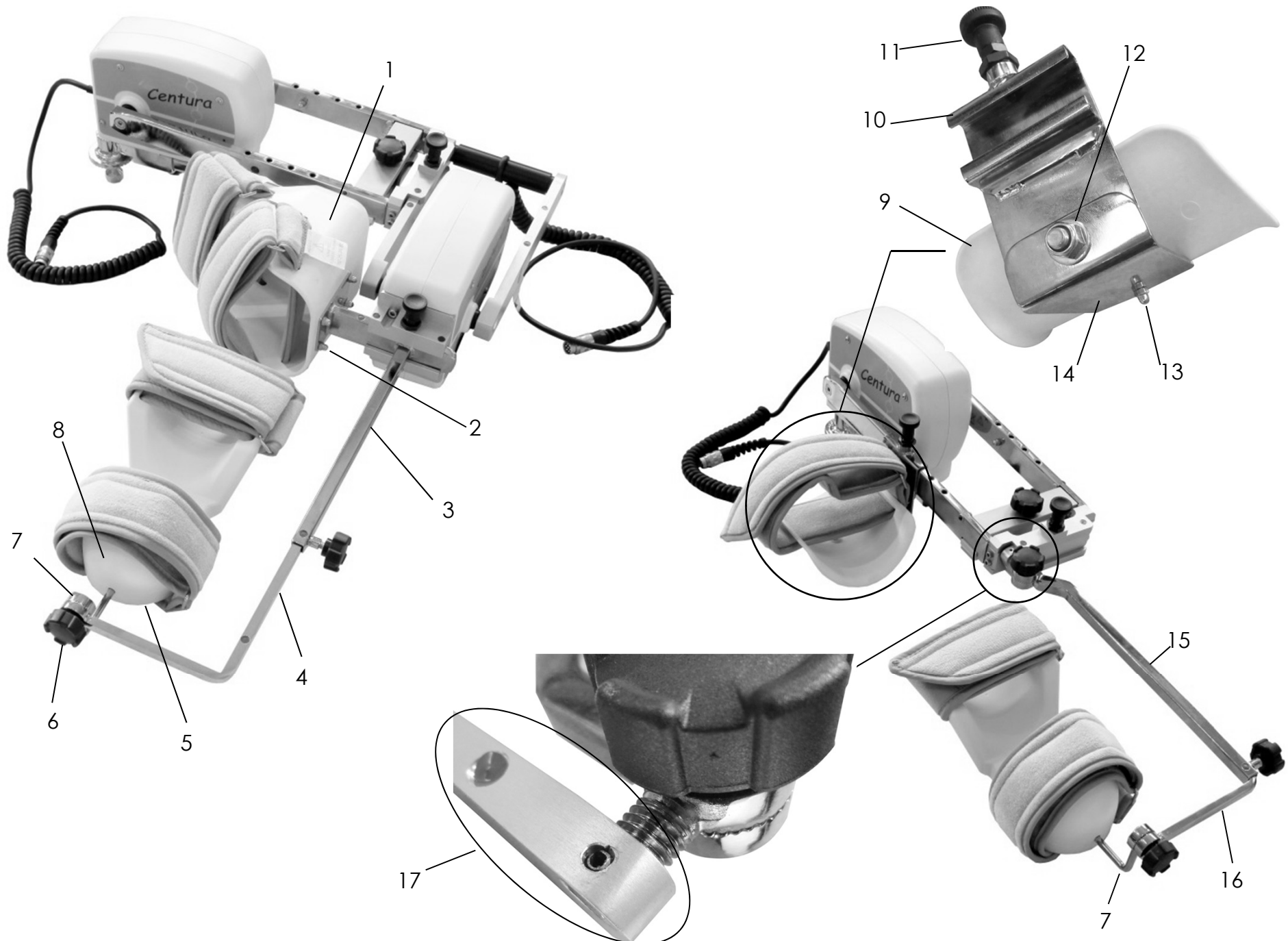


Gouttière d'abduction horizontale



Notice PR de la Page 4 // Spare parts of page 4

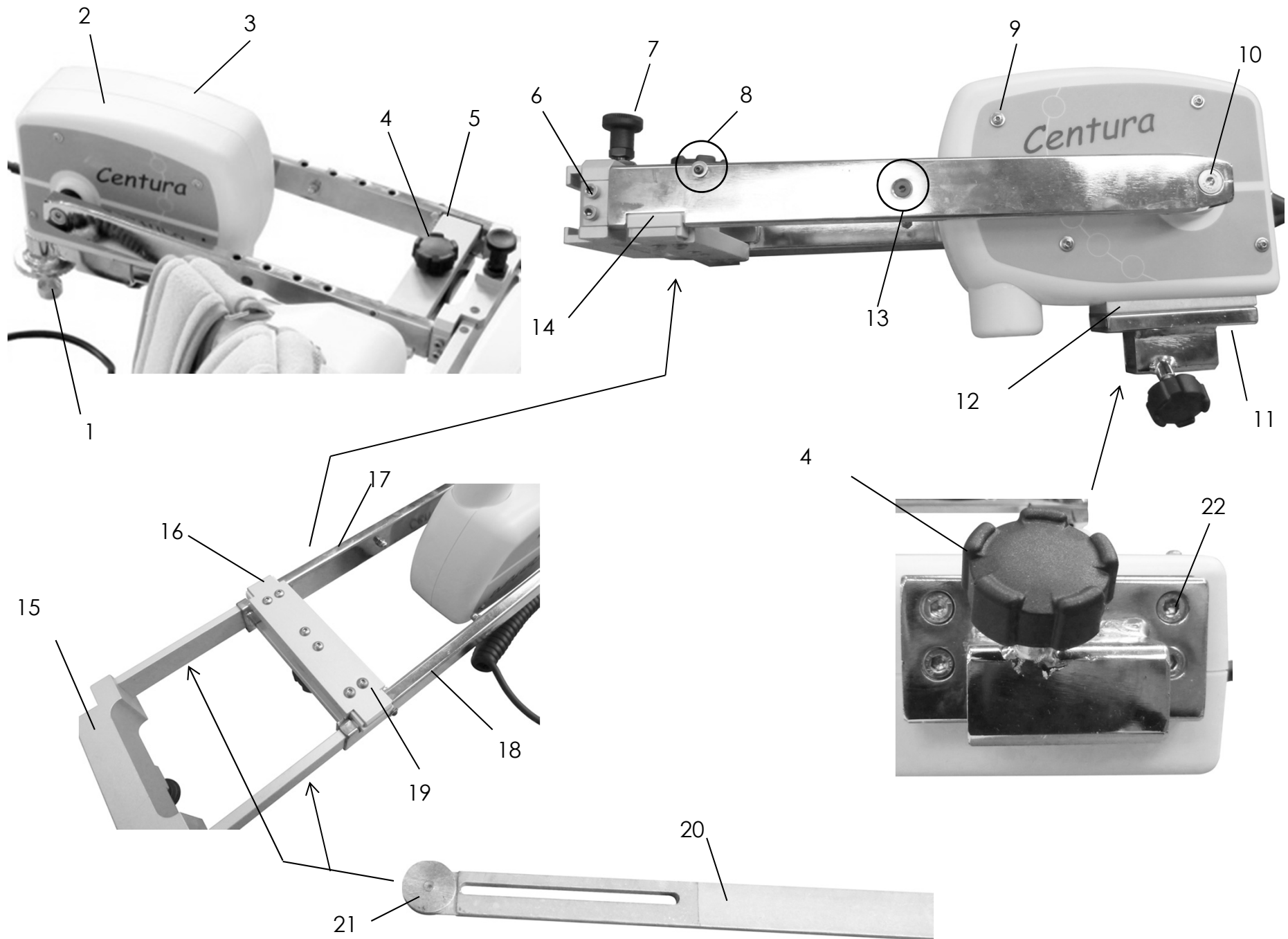
N°	REFERENCE	Q.	S1	S2	DESIGNATION	DESIGNATION	MATER.
1	4670019411	1	x	x	ENS GOUTTIERE ROTATION MONT C2	<i>MOUNTED ROTATIVE GUTTER SET C2</i>	A.B.S. + Acier/Steel
2	4610007616	1	x	x	CABLE SPIRALE ABD CENTURA	<i>SPIRAL CABLE ABD CENTURA</i>	P.U.R.
3	4650001389	5	x	x	SANGLE DE BRAS C2	<i>ARM STRAP</i>	TEXTILE
4	4670020145	1	x		BLOC MOTEUR ABD ASSEMBLE C2	<i>BLOCK MOTOR ABD ASSEMBLY</i>	A.B.S.
	4670026367	1		x	BLOC MOTEUR ABD ASSEMBLE MDP	<i>BLOCK MOTOR ABD ASSEMBLY MDP</i>	A.B.S.
5	4610007781	1	x	x	CABLE SPIRALE ROT CENTURA	<i>SPIRAL CABLE ROT CENTURA</i>	P.U.R.
6	4670020137	1	x		BLOC MOTEUR ROT ASSEMBLE C2	<i>BLOCK MOTOR ROT ASSEMBLY</i>	A.B.S.
	4670026359	1		x	BLOC MOTEUR ROT ASSEMBLE MDP	<i>BLOCK MOTOR ROT ASSEMBLY</i>	A.B.S.
7	4650001371	2	x	x	SANGLE D'AVANT BRAS C2	<i>FOREARM STRAP</i>	TEXTILE
8	4670019429	1	x	x	ENS GOUTTIERE FLEX/EXT MONT (sans sangles)	<i>FLEXION/EXTENSION GUTTER SET (without straps)</i>	A.B.S. + Acier/Steel
9	4670020020	1	x	x	KIT D'ABDUCTION HORIZONTALE	<i>HORIZONTAL ABDUCTION KIT</i>	INOX / S.STEEL



Kinetec Centura Lite™ Serie 1, 2

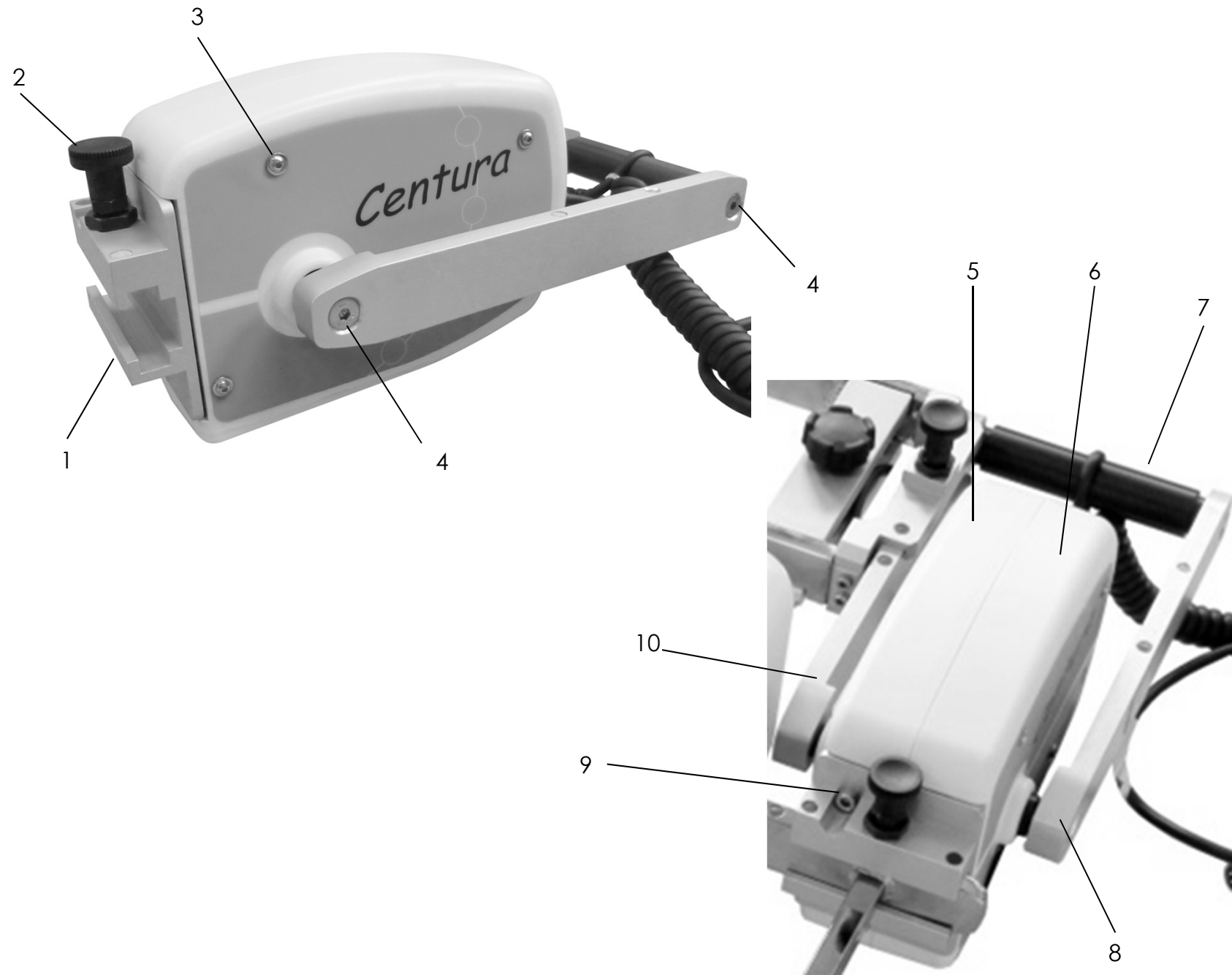
Notice PR de la Page 6 // Spare parts of page 6

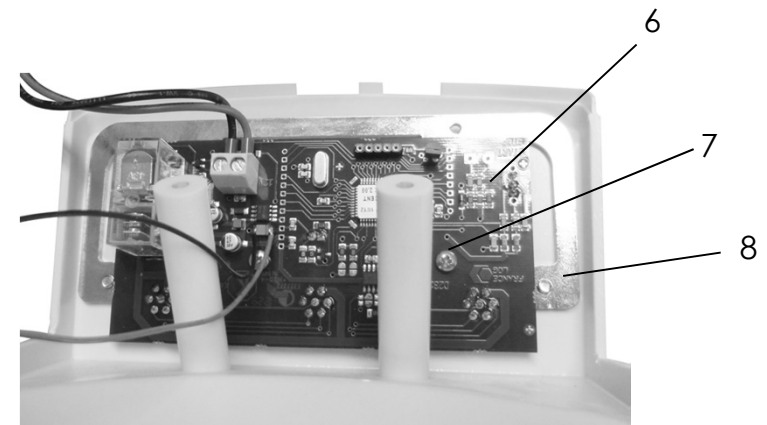
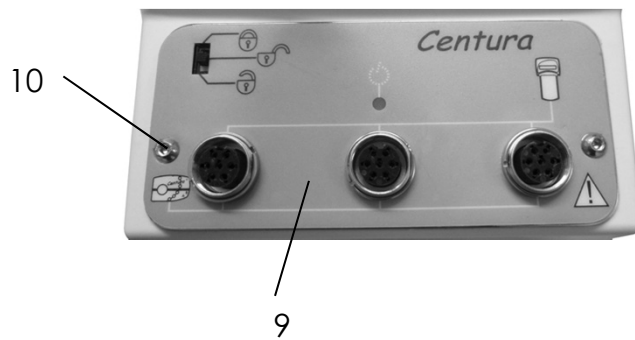
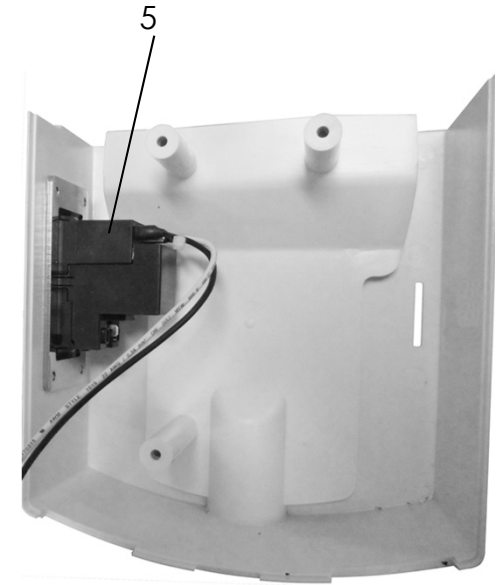
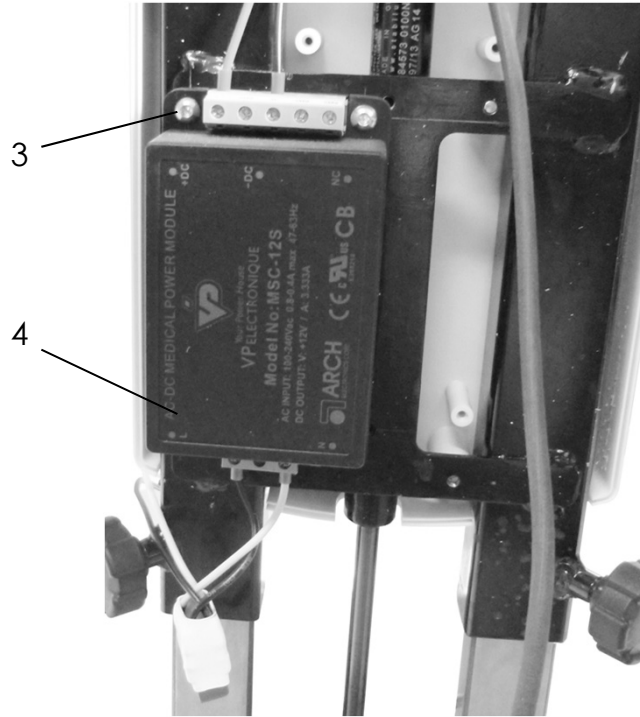
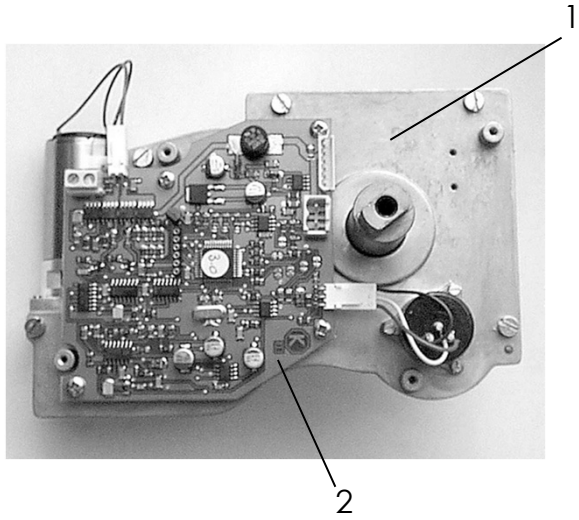
N°	REFERENCE	Q.	S1	S2	DESIGNATION	DESIGNATION	MATER.
1	4635008178	1	x	x	APPUI COUDE 90° V2 CENTURA	ELBOW SUPPORT 90° V2 CENTURA	A.B.S.
2	4620003117	4	x	x	VIS BHC 4*10 INOX A2	BHC SCREW M4 * 10 S.STEEL A2	INOX / S.STEEL
	4620003092	4	x	x	ECROU BORGNE M4 INOX	CAPNUT M4 S.STEEL	INOX / S.STEEL
3	4633000473	1	x	x	SUPPORT AVANT BRAS C2	FOREARM SUPPORT C2	INOX / S.STEEL
4	4633000530	1	x	x	COULISSE DE BRAS ROTATION C2	ROTATIVE SLIDE ARM C2	INOX / S.STEEL
5	4635008152	1	x	x	GUIDE APPUI PALMAIRE V2 CENTUR	PALM SUPPORT GUIDE V2 CENTUR	A.B.S.
6	4625000697	2	x	x	BOUTON 3041-15 MALE NOIR	BLACK KNOB 3041-15	P.O.M.
7	4633000506	1	x	x	TIGE D'APPUI PALMAIRE C2	BACKER ROD PALM C2	INOX / S.STEEL
	4620000874	1	x	x	VIS CHC 3*12 INOX	CHC SCREW M3 * 12 S.STEEL	INOX / S.STEEL
8	4635007196	1	x	x	APPUI PALMAIRE ABD ET ROTATION	PALM SUPPORT ABD AND ROT	A.B.S.
9	4635008201	1	x	x	APPUI BRAS V2 CENTURA	ARMS SUPPORT V2 CENTURA	A.B.S.
10	4633000499	1	x	x	SUP APPUI BRAS SUPERIEUR C2	SUPPORT OF UPPER ARM SUPPORT	INOX / S.STEEL
11	4625000704	2	x	x	BOUTON INDEX GN 617.5 AK	INDEX BUTTON GN 617.5 AK	P.O.M.
12	4620003076	1	x	x	VIS POELIER M8*16 INOX	SLOTTED "POELIER" HEAD SCREW M8 * 16 S.STEEL	INOX / S.STEEL
	4630000343	1	x	x	RONDEL PLATE ZING 8*18*2	FLAT WASHER ZING 8 * 18 * 2	ZING
	4620001765	1	x	x	ECROU INDESSERRABLE M8	LOCKNUT M8	INOX / S.STEEL
13	4620003117	1	x	x	VIS BHC 4*10 INOX A2	BHC SCREW M4 * 10 S.STEEL A2	INOX / S.STEEL
	4630000575	1	x	x	RONDEL PLATE NYL 4*12*1,5	FLAT WASHER NYL 4 * 12 * 1.5	NYLON
	4620003092	1	x	x	ECROU BORGNE M4 INOX	CAPNUT M4 S.STEEL	INOX / S.STEEL
14	4633000548	1	x	x	SUP APPUI BRAS INFERIEUR C2	SUPPORT OF LOWER ARM SUPPORT	INOX / S.STEEL
15	4633000580	1	x	x	SUP ORIENT APPUI PALMAIRE C2	ORIENTABLE SUPPORT OF PALM SUPPORT	INOX / S.STEEL
16	4633000522	1	x	x	COULISSE D'AVANT BRAS C2	FOREARM SLIDE C2	INOX / S.STEEL
17	4670026424	1	x	x	SUPPORT APPUI PALMAIRE + NOIX MONTE	PALM SUPPORT + NUTS MOUNT	ACIER / STEEL



Notice PR de la Page 8 // Spare parts of page 8

N°	REFERENCE	Q.	S1	S2	DESIGNATION	DESIGNATION	MATER.
1	4670019114	1	x	x	COULISSEAU INDEXAGE MOT M1 C2	INDEXING SLIDE M1 C2	INOX / S.STEEL
2	4635007823	1	x	x	CARTER MOT DROIT ABD V2 C2	RIGHT ABD MOTOR HOUSING	A.B.S.
3	4635007831	1	x	x	CARTER MOT GAUCHE ABD V2 C2	LEFT ABD MOTOR HOUSING	A.B.S.
4	4625000697	2	x	x	BOUTON 3041-15 MALE NOIR	BLACK KNOB 3041-15	P.O.M.
5	4670018926	1	x	x	BRIDE C2	FLANGE C2	ALUMINIUM
6	4620003133	4	x	x	VIS CHC 4*16 INOX	CHC SCREW M4 * 16 S.STEEL	INOX / S.STEEL
7	4625000704	1	x	x	BOUTON INDEX GN 617.5 AK	INDEX BUTTON GN 617.5 AK	P.O.M.
8	4620002820	2	x	x	VIS BHC 2,5*8 CLAS 10.9	BHC SCREW 2.5 10.9 * 8 CLAS	ACIER / STEEL
	4630000682	2	x	x	RONDEL PLATE INOX 3,25*8*0,8	FLAT WASHER 3.25 * 8 * 0.8	INOX / S.STEEL
	4635007310	2	x	x	PION SUP BRAS M1 C2	SUPPORT PIN ARM M1 C2	A.B.S.
9	4620003539	4	x	x	VIS BHC 3*8 INOX A2	BHC SCREW M3*8 S.STEEL A2	ACIER / STEEL
	4620003216	4	x	x	VIS BHC 3*30 INOX	BHC SCREW M3 * 30 S.STEEL	ACIER / STEEL
	4630000682	8	x	x	RONDEL PLATE INOX 3,25*8*0,8	FLAT WASHER 3.25 * 8 * 0.8	INOX / S.STEEL
10	4620001202	2	x	x	VIS FHC 6*16 INOX	VIS FHC 6 * 16 S.STEEL	INOX / S.STEEL
11	4670020129	1	x	x	SUPPORT MOTEUR M1 V2	MOTOR SUPPORT M1 V2	INOX / S.STEEL
12	4670021870	1	x		SPACER CENTURA	SPACER CENTURA	ALUMINIUM
13	4620002747	2	x	x	VIS FHC 4*12 BRUT	VIS FHC 4 * 12	ACIER / STEEL
	4620003092	2	x	x	ECROU BORGNE M4 INOX	CAPNUT M4 S.STEEL	INOX / S.STEEL
14	4635007328	2	x	x	PATIN DE BRAS M1 C2	PAD ARM M1 C2	PLASTIC
15	4670019560	1	x	x	CHAPE DE BRAS M1 TRAITEE C2	CLEVIS ARM M1 C2	ALUMINIUM
16	4670019552	1	x	x	TRAVERSE BRAS M1 TRAITEE C2	CROSSPIECE ARM M1 C2	ALUMINIUM
	4670019205	1	x	x	ECROU DE TRAVERSE TRAITE C2	NUT OF CROSSPIECE C2	ALUMINIUM
17	4670019156	1	x	x	BRAS GAUCHE M1 C2	LEFT ARM M1 C2	INOX / S.STEEL
18	4670019148	1	x	x	BRAS DROIT M1 C2	RIGHT ARM M1 C2	INOX / S.STEEL
19	4620003159	6	x	x	VIS BHC 4*12 INOX	BHC SCREW M4 * 12 S.STEEL	INOX / S.STEEL
20	4670019172	1	x	x	COULISSE BRAS GAUCHE M1 C2	SLIDE LEFT ARM M1 C2	ALUMINIUM
	4670019180	1	x	x	COULISSE BRAS DROIT M1 C2	SLIDE RIGHT ARM M1 C2	ALUMINIUM
21	4635007302	2	x	x	GALET DE BRAS M1 C2	ROLLER ARM M1 C2	LAITON / BRASS
22	4620000957	4	x		VIS CHC 5*25 INOX A2	CHC SCREW M5 * 25 S.STEEL A2	INOX / S.STEEL
	4620000915	4		x	VIS CHC 5*10 INOX	CHC SCREW M5*10 S.STEEL	
	4630000228	4	x	x	RONDEL PLATE ZING 5*12*2	FLAT WASHER ZING 5 * 12 * 2	ZING





Notice PR de la Page 12 // Spare parts of page 12

N°	REFERENCE	Q.	S1	S2	DESIGNATION	DESIGNATION	MATER.
1	4610007757	1	x		BLOC MOTEUR ABD CENTURA (API)	BLOCK MOTOR ABD CENTURA (API)	Alu. + Cu/Copper
	4610007765	1	x		BLOC MOTEUR ROT CENTURA (API)	BLOCK MOTOR ROT CENTURA (API)	Alu. + Cu/Copper
	4610009323	1		x	BLOC MOTEUR ABD CENTURA (MDP)	BLOCK MOTOR ABD CENTURA (MDP)	
	4610009331	1		x	BLOC MOTEUR ROT CENTURA (MDP)	BLOCK MOTOR ROT CENTURA (MDP)	Alu. + Cu/Copper
2	4610008044	1	x	x	CARTE MOTEUR ABD CENTURA	ABD MOTOR CARD	Elect. Comp.
	4610007773	1	x		CARTE MOTEUR ROT CENTURA	ROT MOTOR CARD	Elect. Comp.
	4610009274	1		x	CARTE MOTEUR ROT CENTURA MOT 103	ROT MOTOR CARD MOT 103	
3	4620003117	4	x	x	VIS BHC 4*10 INOX A2	BHC SCREW M4 * 10 S.STEEL A2	INOX / S.STEEL
4	4610009000	1	x	x	CARTE ALIM MOULEE MSC-12S	SUPPLY UNIT MSC-12S	Elect. Comp.
	4670025814	1	x	x	FAISC ALIM SECOND C.II CENTURA	SECONDARY SUPPLY UNIT WIRES	Elect. Comp.
5	4610009141	1	x	x	EMBASE SECTEUR CORCOM CLASS II	SUPPLY SOCKET CORCOM CLASS II	Elect. Comp.
	4670025773	1	x	x	FAISC ALIM PRIMAI C.II CENT/BW	PRIMARY SUPPLY UNIT WIRES	Elect. Comp.
	4670019312	1	x	x	SUPPORT CORCOM EPOXY C2	CORCOM SUPPORT PLATE	EPOXY
	4670019320	1	x	x	CONTRE PLAQ SUPPORT CORCOM C2	CORCOM OPPOSITE SUPPORT PLATE	ACIER / STEEL
	4620002044	4	x	x	VIS BHC 4*8 INOX A2	BHC SCREW M4 * 8 S.STEEL	INOX / S.STEEL
6	4610007583	1	x	x	CARTE DE DISTRIBUTION CENTURA2	DISTRIBUTION CARD	Elect. Comp.
7	4620002870	2	x	x	VIS B CRUCI H M3*5 INOX	BUTTON HEAD PHILLIPS SCREW M3*5 S.STEEL	INOX / S.STEEL
	4627001073	2	x	x	ENTRET HEXA M4 L:6	HEX SPACER M4*6	ZING
	4630000046	2	x	x	RONDEL AZ ZING 4	SERRATED LOCK WASHER M4	ZING
8	4670019487	1	x	x	CONTRE PLAQUE CONNECTEUR C2	CONNECTOR OPPOSITE PLATE	ACIER / STEEL
9	4670019338	1	x	x	SUPPORT CONNECTEUR CHROME C2	CONNECTOR SUPPORT PLATE	ACIER / STEEL
10	4620002044	2	x	x	VIS BHC 4*8 INOX A2	BHC SCREW M4 * 8 S.STEEL	INOX / S.STEEL
11	4610009092	1	x	x	CORDON SECTEUR 2P VDE 3.5M	CABLE TO THE MAIN VDE CLASS II	P.U.R.
	4610009133	1	x	x	CORDON SECTEUR 2P AUSTRAL 3.5M CLASSE II	CABLE TO THE MAIN BRAZIL CLASS II	P.U.R.
	4610009117	1	x	x	CORDON SECTEUR 2P BRESIL 3.5M CLASSE II	CABLE TO THE MAIN AUSTRALIA CLASS II	P.U.R.
	4610009125	1	x	x	CORDON SECTEUR 2P UK 3.5M CLASSE II	CABLE TO THE MAIN U.K. CLASS II	P.U.R.
	4610009109	1	x	x	CORDON SECTEUR 2P UL 4M CLASSE II	CABLE TO THE MAIN UL CLASS II	P.U.R.
	4610009365	1	x	x	CORDON SECTEUR 2P SUISSE 3,5M CLASSE II	CABLE TO THE MAIN SWITZERLAND CLASS II	P.U.R.

